

PATROL 6

Body Worn Camera

Model: P1

FCC ID: 2BVFCP6-BC-V1

User Manual

Patrol 6, LLC
2843 E. Robin Lane
Phoenix, AZ 85050 USA

Table of Contents

1. Product Overview
2. Package Contents
3. Device Description
 1. Front View
 2. Right Side (USB Side)
 3. Left Side (SIM Side)
 4. Top View
 5. Bottom View
 6. Rear View
4. Getting Started
 1. Installing the SIM Card
 2. Installing the Battery
 3. Charging the Device
 4. Powering On and Off
5. Wearing the Camera
6. Basic Operation
 1. Recording a Patrol
 2. Event Recording
 3. Pausing and Resuming Recording
 4. Taking a Photo
 5. Night Vision
 6. LiveAI
 7. Panic / SOS
 8. Toggle AI Mode
7. LED Indicator Reference
8. Button Reference
9. Charging Cradle
10. Technical Specifications
11. Safety Warnings and Precautions
12. FCC Regulatory Compliance

13. RF Exposure Information (SAR)

14. FCC Label Location

15. Warranty and Support

1. Product Overview

The Patrol 6 P1 is a professional body worn camera designed for law enforcement, security, and public safety personnel. It provides continuous HD video recording, real-time evidence upload over LTE cellular networks, and cloud-managed operation through the Patrol 6 platform.

Product Identification	
Product Name	Body Worn Camera
Model Number	P1
Brand Name	Patrol 6
FCC ID	2BVFCP6-BC-V1
Manufacturer	Patrol 6, LLC
Address	2843 E. Robin Lane, Phoenix, AZ 85050 USA

2. Package Contents

Inspect the package upon receipt. Contact Patrol 6 support if any items are missing or damaged.

Item	Quantity
P1 Body Worn Camera	1
Rechargeable Lithium-Ion Battery (3200 mAh)	2
Charging Cradle (camera + spare battery)	1
USB Wall Charger (5V/2A)	1
USB-A to USB-C Charging Cable	1
Rotating Alligator Clip (chest mount)	1

Vest Clip	1
Quick Start Guide and User Manual Card (QR code and URL to full online manual)	1

3. Device Description

3.1 Front View



Figure 1 — Front View

Component	Description
Camera Lens	HD 120° wide-angle camera lens (top center)
IR LEDs	Infrared illuminators for night vision (flanking the lens)
Flash / White LED	Not used in current application
LED Indicators	Status LEDs indicating recording, charging, and device state
Main Button	Center button with video camera icon. Short press: LiveAI trigger. Long press: Start/Stop event recording
Patrol 6 Logo	Brand identification

3.2 Right Side (USB Side)

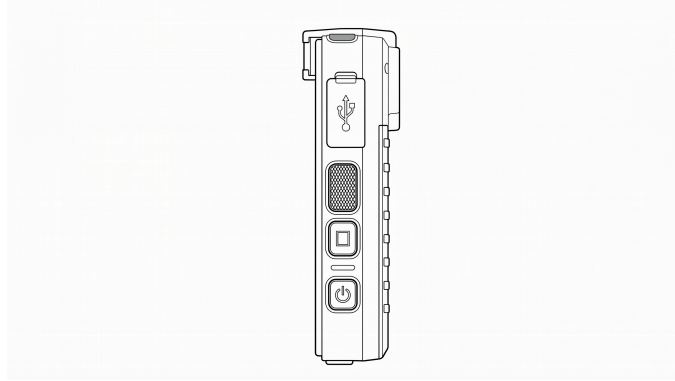


Figure 2 — Right Side (USB Side)

Component	Description
USB-C Port	Behind protective flap (USB symbol on cover). For charging or data connection
Pause / Resume Button	Rectangular button. Short press: Pause recording. Long press: Resume recording
Snapshot Button	Short press: Capture a still photo. Long press: Toggle stealth mode on/off
Power Button	Bottom button with power icon. Short press: Screen sleep/wake. Long press: Power off / Reboot

3.3 Left Side (SIM Side)

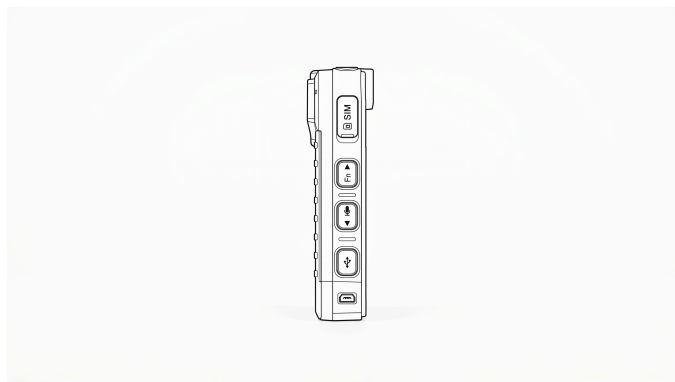


Figure 3 — Left Side (SIM Side)

Component	Description
SIM Card Slot	Behind protective cover (labeled "SIM"). For LTE nano-SIM card
Fn / Up Button	Volume up

Mic / Down Button	Volume down
Night Vision Button	Below Mic/Down. Toggle infrared night vision on/off

3.4 Top View

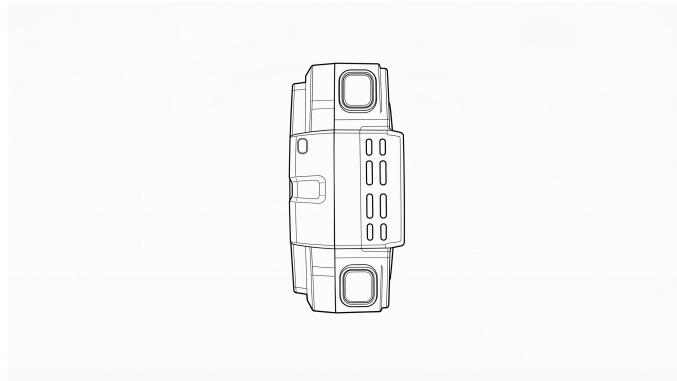


Figure 4 — Top View

Component	Description
Speaker	Speaker grille for audio playback and system sounds
Top-Right Button (Event)	Same as front Main Button. Short press: LiveAI trigger. Long press: Start/Stop event recording
Top-Left Button (SOS / AI)	Short press: Toggle AI on/off/low. Long press: Activate/Deactivate Panic/SOS mode

3.5 Bottom View

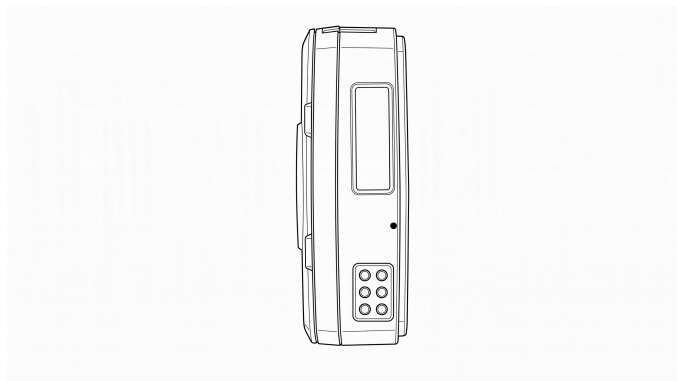


Figure 5 — Bottom View

The bottom features a 6-pin pogo connector for use with the charging cradle.

3.6 Rear View

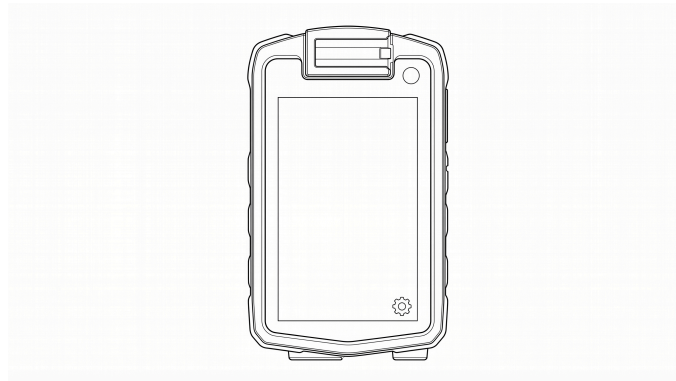


Figure 6 — Rear View

The rear of the device features a 3.1" IPS capacitive touchscreen display (480 x 800 pixels) used for system status, login, and settings. The rotating clip mount attaches at the top of the rear panel. A settings icon is visible at the bottom-right of the screen. Settings can be accessed before login if necessary.

4. Getting Started

4.1 Installing the SIM Card

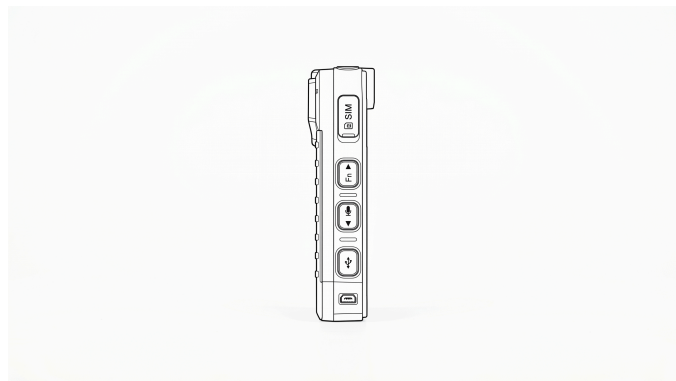


Figure 7 — SIM Card Slot Location

1. Power off the device.
2. Locate the SIM card slot on the left side of the device (labeled "SIM").
3. Open the protective cover by sliding it in the direction indicated.
4. Insert a nano-SIM card with the contacts facing down and the notched corner oriented as shown on the slot label.
5. Push the SIM card gently until it clicks into place.

6. Close the protective cover securely.

Note: For most operations, a Patrol 6 SIM card is pre-installed and already provisioned for use. A SIM card is required for LTE cellular data connectivity, which enables real-time evidence upload and cloud management. If the SIM card slot is empty or a replacement is needed, contact your Patrol 6 administrator.

4.2 Installing the Battery

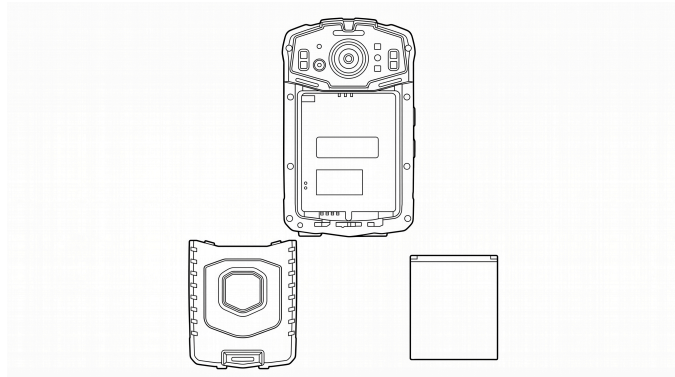


Figure 8 — Battery Compartment (cover and battery removed)

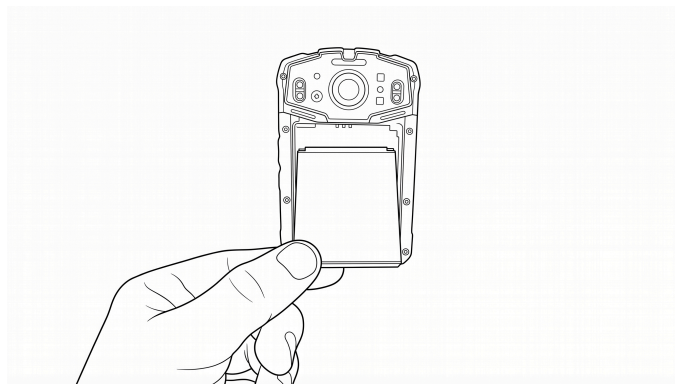


Figure 9 — Inserting the Battery

1. Power off the device if it is on.
2. Place the device face-up on a clean surface.
3. Slide the front cover latch to the left to unlock, then lift and remove the front cover from the device body.
4. Orient the battery with the positive (+) and negative (-) terminals matching the markings inside the battery compartment.
5. Insert the battery into the compartment, contacts first, and press down until it seats firmly.

6. Replace the front cover by aligning it onto the device body, pressing down firmly, and sliding the latch to the right as far as it will go. The latch is a compression slide — it will not click. Ensure the latch is slid fully to the right for proper operation and water tightness.

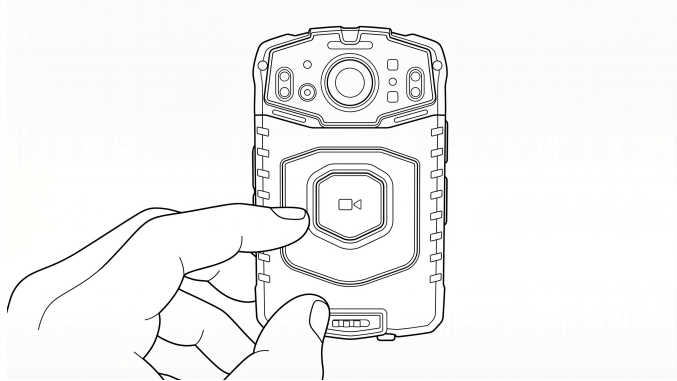


Figure 10 — Closing the Front Cover

Warning: Only use the Patrol 6 battery supplied with this device (3.8V, 3200 mAh lithium-ion). Using third-party batteries may damage the device and void the warranty.

4.3 Charging the Device

The P1 can be charged two ways:

Method 1 — Charging Cradle (Recommended)

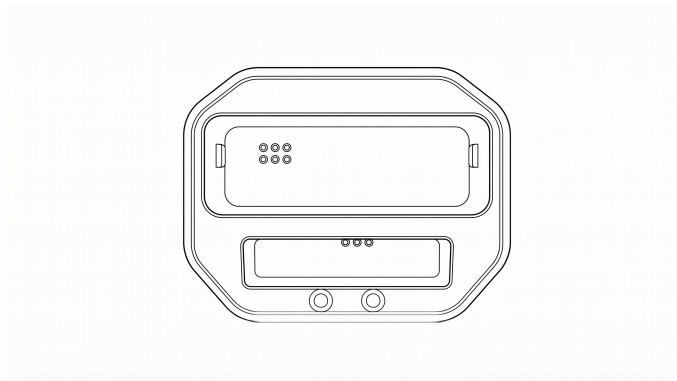


Figure 11 — Charging Cradle

1. Connect the USB-A to USB-C cable from the wall charger to the cradle.
2. Place the camera into the main cradle slot, aligning the bottom pogo contacts.
3. Optionally, place a spare battery in the secondary battery slot.
4. The LED indicators will show the charging status (see below).

Charging Indicator Lights

Location	Red LED	Blue LED
Camera LEDs (on device)	Camera battery charging	Camera battery fully charged
Cradle LEDs (on cradle)	Spare battery charging	Spare battery fully charged

Method 2 — Direct USB-C Cable

1. Open the USB-C port cover on the right side of the device.
2. Connect a USB-C cable from the wall charger directly to the device.

Note: The device cannot record while connected to USB power during normal operation. Disconnect the charging cable before beginning a patrol.

4.4 Powering On and Off

Action	How
Power On	Long press the Power button (right side, bottom) for 3 seconds
Power Off	Long press the Power button for 3 seconds, then confirm on screen
Screen Sleep / Wake	Short press the Power button
Reboot	Long press the Power button and select Reboot from the on-screen menu

5. Wearing the Camera

1. Attach the rotating alligator clip to the rear mount point on the top of the device.
2. Clip the camera to the center of your chest, on the outer layer of your uniform, at approximately sternum height.
3. Adjust the clip rotation so the camera lens faces forward.
4. Verify the camera is mounted vertically with the lens at the top and the Patrol 6 logo on the bottom.

The mount system supports:

- **Rotating alligator clip** — included, for direct uniform attachment
- **Vest clip** — included, for MOLLE vests and tactical gear

- **Third-party accessory mount** — standard mount point compatible with other body-worn accessories

Warning: Ensure the camera is securely attached before patrol. A loose camera may fall and be damaged, or fail to capture critical evidence.

6. Basic Operation

6.1 Recording a Patrol

Patrol recording is managed automatically by the Patrol 6 software. When a user logs in with their PIN and confirms their site assignment, recording begins automatically. Recording continues until the patrol is ended through the on-screen interface.

6.2 Event Recording

Event recording captures high-priority incidents with elevated upload priority.

- **Start Event:** Long press the front Main Button or the top-right side button.
- **Stop Event:** Long press the same button again.

During an event, both the red and blue LEDs will be illuminated. Event footage is uploaded with critical priority.

6.3 Pausing and Resuming Recording

- **Pause:** Short press the Pause/Resume button (rectangular button, right side).
- **Resume:** Long press the Pause/Resume button.

During a pause, the LED indicators will show green/yellow. Audio and video recording are suspended while paused.

6.4 Taking a Photo

Short press the Snapshot button (right side, below the Pause button) to capture a still photograph. Photos are saved alongside the video evidence for the current patrol session.

Long press the Snapshot button to toggle **stealth mode** on or off. In stealth mode, all LEDs and screen backlight are turned off for covert operation while recording continues.

6.5 Night Vision

The P1 features infrared night vision for low-light and no-light environments.

- **Toggle Night Vision:** Press the Night Vision button (left side, below the Mic/Down button).

When activated, the IR LEDs illuminate the scene with infrared light invisible to the human eye, and the camera switches to IR capture mode.

6.6 LiveAI

The LiveAI assistant provides real-time situational awareness through voice interaction.

- **Activate LiveAI:** Short press the front Main Button or top-right side button.

6.7 Panic / SOS

In an emergency, activate the Panic/SOS function to immediately alert your dispatch center.

- **Activate SOS:** Long press the top red button on the left side to start.
- **Deactivate SOS:** Long press the top red button on the left side to stop.

This sends an immediate alert with your GPS location to the Patrol 6 management platform.

6.8 Toggle AI Mode

The AI assistant can be set to different modes to control its level of engagement.

- **Toggle AI On / Off / Low:** Short press the top red button on the left side (same button as SOS).

7. LED Indicator Reference

Normal Operation (Not Charging)

LED Color	Meaning
Red (solid)	Recording patrol video
Red + Blue (solid)	Recording an event (incident in progress)

Green / Yellow	Recording paused
Blue (solid)	Device is on but user is logged out

Charging (USB Connected)

LED Color	Meaning
Red (solid)	Battery charging in progress
Blue (solid)	Battery fully charged

8. Button Reference

Button	Location	Short Press	Long Press
Main Button	Front center	LiveAI trigger	Start / Stop event recording
Top-Right Button	Right side, top	LiveAI trigger (same as Main)	Start / Stop event recording (same as Main)
Top-Left SOS Button	Left side, top (red button)	Toggle AI on / off / low	Activate / Deactivate Panic / SOS
Fn / Up	Left side	Volume up	—
Mic / Down	Left side	Volume down	—
Night Vision	Left side, lower	Toggle IR night vision on/off	—
Pause / Resume	Right side (rectangular)	Pause recording	Resume recording
Snapshot	Right side	Capture still photo	Toggle stealth mode on / off
Power	Right side, bottom	Screen sleep / wake	Power off / Reboot

9. Charging Cradle

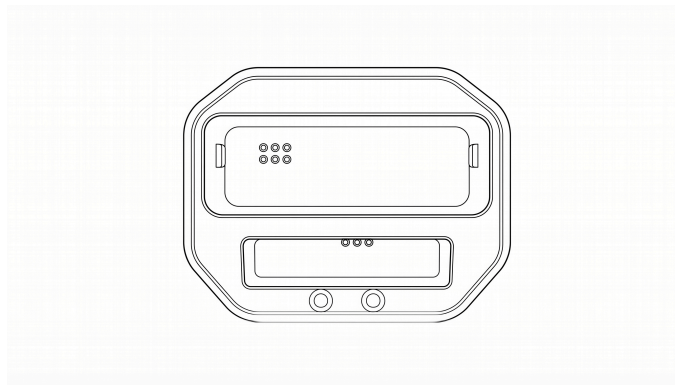


Figure 12 — Charging Cradle

The included charging cradle provides two charging functions:

- **Camera Slot (main bay):** Charges the P1 camera through the 6-pin pogo contacts on the bottom of the device. Align the camera and press down until it seats securely.
- **Battery Slot (secondary bay):** Charges a spare battery independently, so a fresh battery is always ready.

Setup:

1. Place the cradle on a flat, stable surface.
2. Connect the USB-C cable from the included 5V/2A wall charger to the cradle.
3. Insert the camera and/or spare battery into their respective slots.

10. Technical Specifications

General	
Model	P1
Dimensions	103 mm x 63 mm x 22 mm (without clip)
Weight (with battery)	208 g
Weight (without battery)	180 g
Display	3.1" IPS Screen with Capacitive Touch (480 x 800 pixels)
Ingress Protection	IP67 (dust-tight, submersible to 1 m for 30 min)
Operating Temperature	-30°C to 55°C (-22°F to 131°F)

Camera and Recording	
Video Resolution	HD 1280 x 720 @ 25 fps (software-configured)
Video Codec	H.264
Hardware Capability	Up to 2K resolution
Audio	AAC-LC, 44.1 kHz, mono
Night Vision	Infrared LEDs, manual on/off
Photo Capture	JPEG still photos
Field of View	120° wide angle

Storage	
Internal Storage	16 GB
SD Card Storage	256 GB (pre-installed, non-removable)

Battery	
Type	Rechargeable lithium-ion
Capacity	3200 mAh
Voltage	3.8V DC
Charging Input	5V / 2A via USB-C or pogo-pin cradle
Included Batteries	2 (one in camera, one spare)

Wireless Communications	
LTE Cellular	Bands 2, 4, 5, 12, 17, 30, 66, 71
Wi-Fi	802.11 a/b/g/n/ac (2.4 GHz and 5 GHz)
Bluetooth	Bluetooth EDR + Bluetooth Low Energy (BLE)
NFC	Near Field Communication
GPS	Built-in GPS for location tracking
Antenna	Internal (integral, non-removable)

Power Adapter (Included)	
Manufacturer	Dongguan Kaisheng Electronic Technology Co., Ltd.
Model	M4-050200A1-ETL
Input	100–240V AC, 50/60 Hz, 0.3A
Output	5V DC, 2A
Cable	USB-A to USB-C, 1.0 m

11. Safety Warnings and Precautions

IMPORTANT SAFETY INSTRUCTIONS — READ BEFORE USE

Battery Safety

- Only use the Patrol 6 lithium-ion battery provided with this device.
- Do not expose the battery to fire, extreme heat, or direct sunlight for prolonged periods.
- Do not puncture, crush, disassemble, or modify the battery.
- Do not short-circuit battery terminals.
- If the battery is swollen, leaking, or damaged, stop use immediately and contact Patrol 6 support.
- Dispose of batteries in accordance with local regulations. Do not dispose of in household waste.
- Keep batteries out of reach of children.

Charging Safety

- Use only the included power adapter (5V/2A) or a UL-listed equivalent.
- Do not charge the device in wet or humid environments.
- Disconnect the charger during lightning storms.
- Do not cover the device while charging.

Device Safety

- Although rated IP67, do not intentionally submerge the device beyond its rating (1 meter, 30 minutes).

- Ensure all port covers (USB-C, SIM) are securely closed before exposure to water or dust.
- Do not operate the device outside its rated temperature range (-30°C to 55°C).
- Do not attempt to disassemble or repair the device. Refer servicing to Patrol 6.
- The device may become warm during extended recording or charging. This is normal.

RF Safety

- This device transmits radio frequency (RF) energy. Observe any RF restrictions in hospitals, aircraft, or other sensitive environments.
- Do not use this device near blasting operations or in explosive atmospheres.

12. FCC Regulatory Compliance

FCC Part 15 Compliance Statement

This device complies with Part 15 of the FCC Rules. Operation is subject to the following two conditions:

1. This device may not cause harmful interference, and
2. This device must accept any interference received, including interference that may cause undesired operation.

FCC Class B Digital Device Statement

This equipment has been tested and found to comply with the limits for a Class B digital device, pursuant to Part 15 of the FCC Rules. These limits are designed to provide reasonable protection against harmful interference in a residential installation. This equipment generates, uses, and can radiate radio frequency energy and, if not installed and used in accordance with the instructions, may cause harmful interference to radio communications. However, there is no guarantee that interference will not occur in a particular installation.

If this equipment does cause harmful interference to radio or television reception, which can be determined by turning the equipment off and on, the user is encouraged to try to correct the interference by one or more of the following measures:

- Reorient or relocate the receiving antenna.
- Increase the separation between the equipment and receiver.
- Connect the equipment into an outlet on a circuit different from that to which the receiver is connected.
- Consult the dealer or an experienced radio/TV technician for help.

FCC Caution

Any changes or modifications not expressly approved by the party responsible for compliance could void the user's authority to operate the equipment.

Applicable FCC Rules

Rule	Description
47 CFR Part 15, Subpart B	Unintentional Radiator (Class B digital device)
47 CFR Part 15, Subpart C	Intentional Radiator (Wi-Fi, Bluetooth, NFC)
47 CFR Part 22	Public Mobile Services (Cellular)
47 CFR Part 24	Personal Communications Services (PCS)
47 CFR Part 27	Miscellaneous Wireless Communications Services
47 CFR Part 90	Private Land Mobile Radio Services

13. RF Exposure Information (SAR)

Body-Worn Operation

This device has been evaluated for RF exposure compliance in a body-worn configuration. The device was tested for Specific Absorption Rate (SAR) for body-worn use in accordance with IEEE 1528-2013 and KDB 865664.

The FCC limit for SAR is **1.6 W/kg** averaged over 1 gram of tissue. The maximum measured SAR value for this device is:

Condition	Maximum SAR (1-g Body)
-----------	------------------------

Body-worn (highest individual band — LTE Band 30)

0.782 W/kg

This device meets FCC RF exposure requirements for body-worn operation without the need for any minimum separation distance. The device is designed to be worn directly on the body using the included clip.

SAR Values by Band

Band	Max SAR (W/kg, 1-g Body)
LTE Band 2	0.689
LTE Band 4	0.660
LTE Band 5	0.497
LTE Band 12	0.381
LTE Band 17	0.442
LTE Band 30	0.782
LTE Band 66	0.732
LTE Band 71	0.356
WLAN 2.4 GHz	0.147
WLAN 5.2 GHz	0.433
WLAN 5.8 GHz	0.572
Bluetooth (EDR)	0.021
Bluetooth (BLE)	0.042
NFC	0.000

All values are below the FCC limit of 1.6 W/kg (1-g tissue average).

RF Exposure Statement

This device complies with FCC RF exposure limits for an uncontrolled environment and is approved for body-worn operation with direct contact (0 mm separation) when used with the provided accessories.

This device supports simultaneous transmission and has been evaluated for compliance with FCC RF exposure requirements under such conditions.

The device does not provide any user-accessible controls for adjusting RF transmission parameters.

Only manufacturer-approved accessories may be used to ensure compliance with FCC RF exposure requirements.

14. FCC Label Location

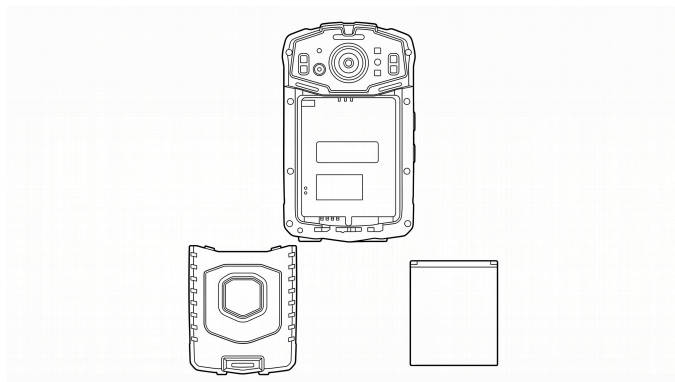


Figure 13 — FCC Label Location (inside battery compartment)

The FCC ID label is located **inside the battery compartment, under the battery**. To view the label:

1. Power off the device.
2. Remove the front cover (slide latch to the left and lift off).
3. Remove the battery.
4. The FCC ID label is visible on the interior surface of the battery compartment.

The label contains the following information:

- FCC ID: 2BVFCP6-BC-V1
- Model: P1
- This device complies with Part 15 of the FCC Rules

Electronic Labeling: FCC identification is also accessible electronically through the device settings menu. Navigate to Settings > About Device to view the FCC ID and regulatory information on-screen.

15. Warranty and Support

Manufacturer:

Patrol 6, LLC
2843 E. Robin Lane
Phoenix, AZ 85050 USA

For technical support, warranty claims, or replacement parts, contact Patrol 6:

- Website: www.patrol6.com
- Email: support@patrol6.com

Disposal: This product contains a lithium-ion battery. Do not dispose of in household waste. Recycle in accordance with local, state, and federal regulations. The battery is marked with the WEEE symbol indicating separate collection for electrical and electronic equipment.

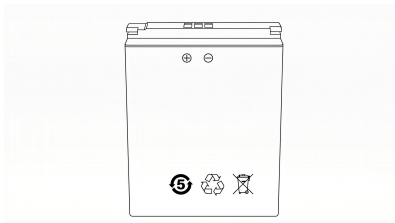


Figure 14 — Battery Recycling and Disposal Symbols